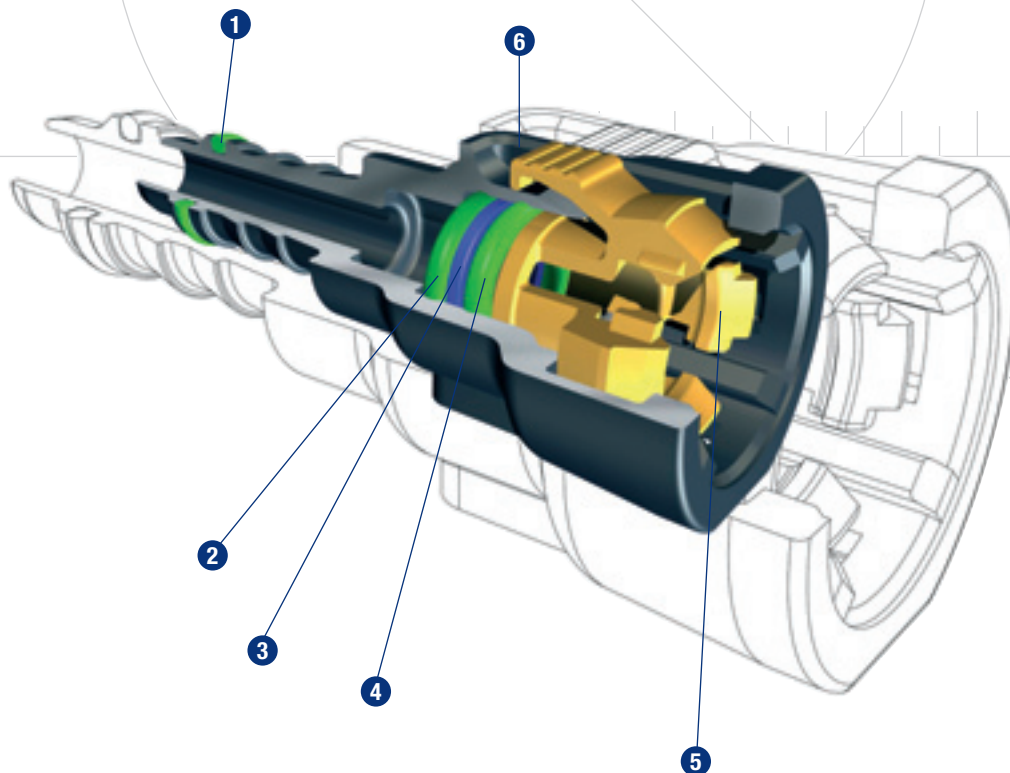


NORMAQUICK® – Quick Connectors

NORMAQUICK® S Quick Connectors

NORMAQUICK® S plastic quick connectors are an ideal means to connect media carrying lines on automobiles and have basically been developed for fuel system applications.

Short description of technical features



1 Firtree plus O-ring (optional)

2 Primary O-ring

3 Spacer

4 Secondary O-ring

5 Retainer (spring)

6 Spigot

Standard materials

NORMAQUICK® S connectors are made from recyclable materials featuring extremely low permeation values. Our standard versions are made from Polyamide 6 or Polyamide

12 with 20 – 50 % glass fiber content. The O-rings are made of FPM and FVMQ as standard equipment.

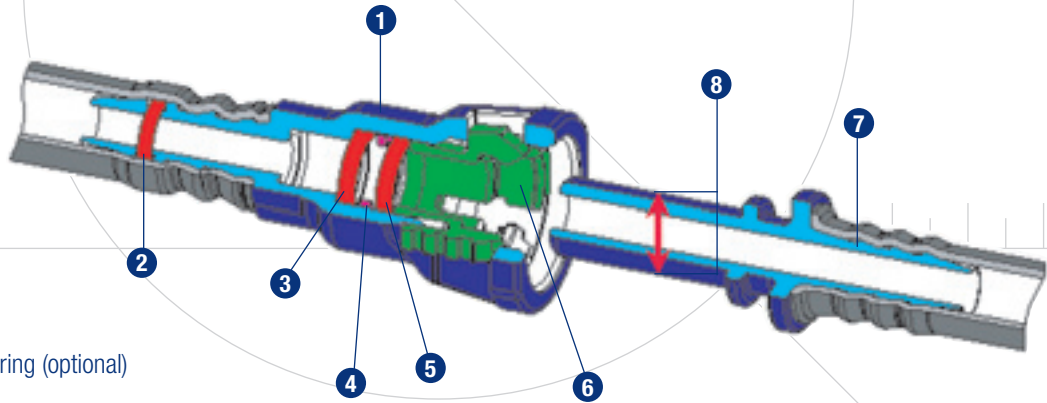
NORMAQUICK® – Quick Connectors

Connecting spigot

to SAE J2044, standard world wide

Please note that all NORMAQUICK® S connectors are delivered without SAE spigot.

However, we will be pleased to offer suitable SAE spigots on request.



- 1 Spigot
- 2 Firtree plus O-ring (optional)
- 3 Primary O-ring
- 4 Spacer
- 5 Secondary O-ring
- 6 Retainer (spring)
- 7 Adapter
- 8 Diameter of Connecting spigot = Nominal Width (NW)

Insiders' Tip

The perfectly matched system is achieved when combining NORMAQUICK® S quick connectors and NORMAFLEX® fluid systems.

Technical features

Medium/Fluid	Operating Pressure	Operating Temperature
Fuel	Approx. 10 bar excess pressure	Engine compartment -40 °C up to +135 °C Short time up to +150 °C (approx. 30 min.)

Meeting the requirements of SAE J2044

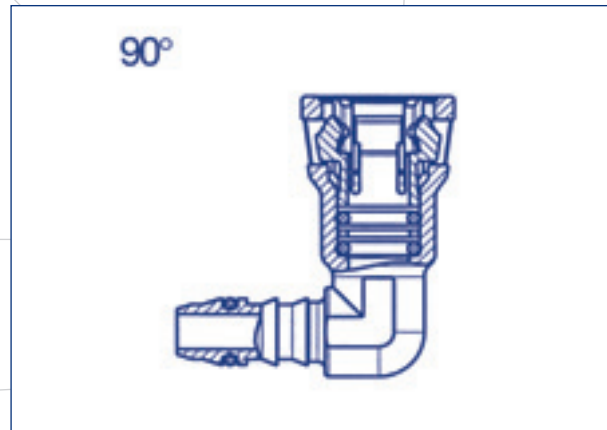
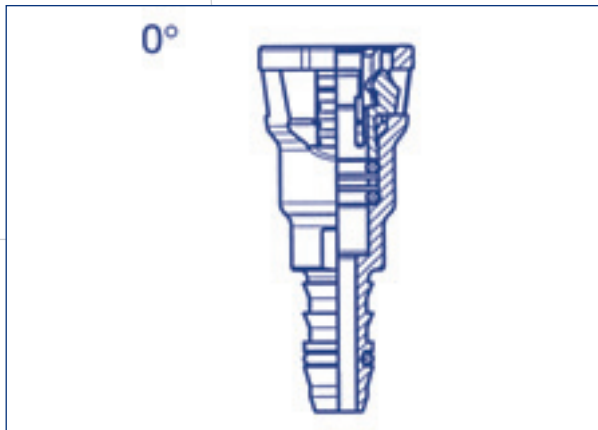
The advantages at a glance

- Fast assembly without tool = time and cost reduction
- Robot assembly possible = automated processes
- Compact building method = employment in extremely close installation conditions possible
- Integrated seal = optimal tightness
- Closing cone principle = NORMAQUICK® S is protected from unintentional opening and cannot be unlocked under pressure

NORMAQUICK® – Quick Connectors

Survey of sizes NORMAQUICK® S

Two types of NORMAQUICK® S (0° and 90°) are available as standard versions.



Nominal width (mm) (outside diameter of the spigot)	0 °	90 °
1/4"	X	X
5/16"	X	X
8 mm	X	X
3/8"	X	X
1/2"	X	X
5/8"	X	X

Additional nominal widths on request.

Enquiries/ordering:

When making enquiries or placing orders please state as follows:

		1. Type	2. Nominal width (outside diameter of SAE spigot)	3. Type	4. Application	5. Inside line- diameter
Example	NORMAQUICK	S	5/16"	0 °	fuel	6 mm

Applications

NORMAQUICK® S can be used to make both line-to-line as well as line-to-equipment connections.

- Fuel lines
 - feed and return lines
 - tank breathing
- Ventilation lines
- Oil cooler lines
- Vacuum control lines